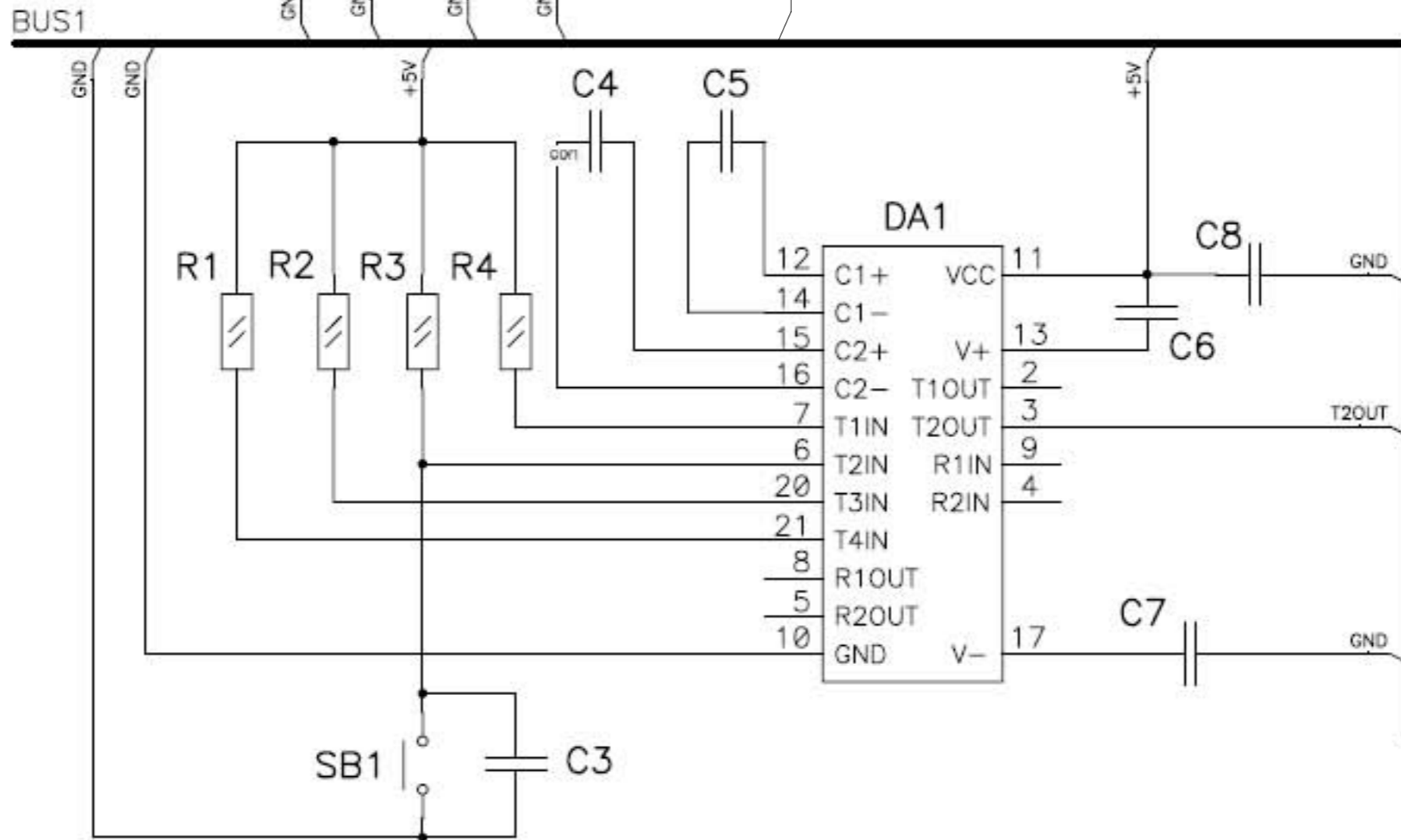
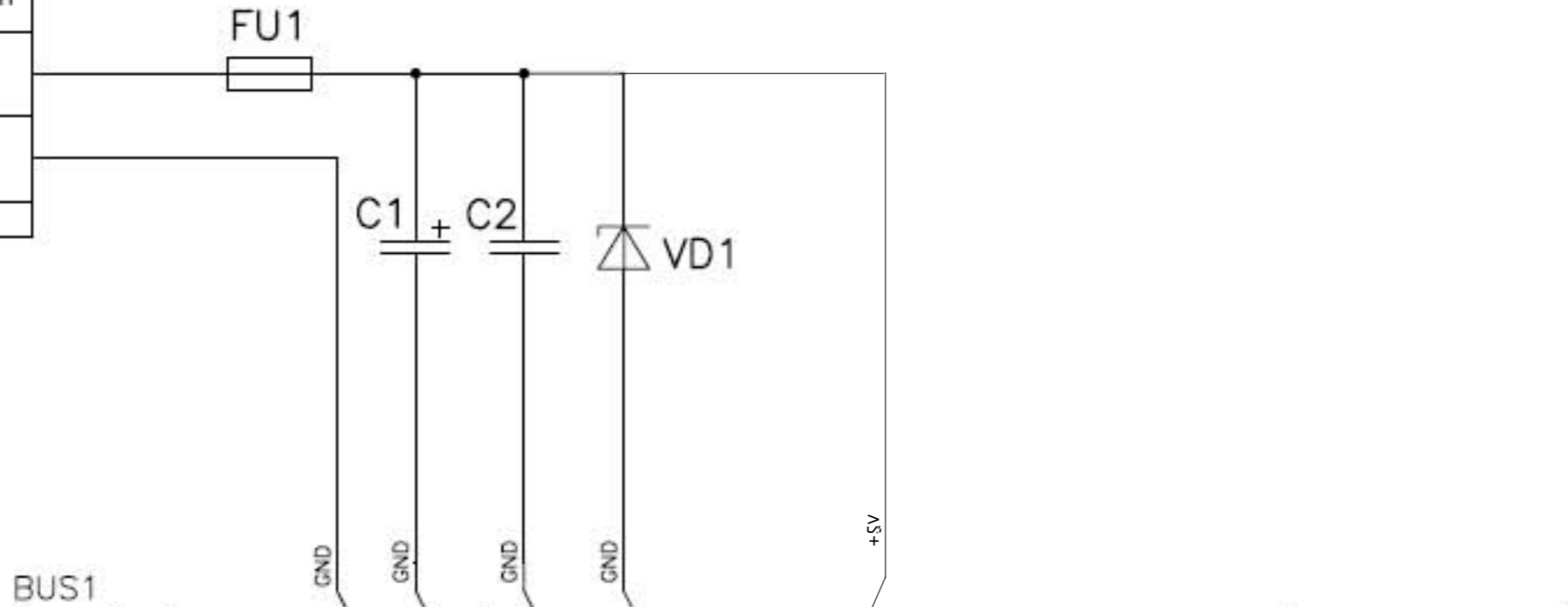


XP1(USB)

Circuit	con
+5V	1
GND	4



XP3(DB9-RS232)

con	Circuit
8	CTS1
5	GND

N pos/sign	Name	Amount	Note
DA1	Chip ADM211 EARZ	1	
C1	Capacitor B45197D 100 μ F 10 B	1	
C2	Capacitors Z5U 1,0 μ F -50 B +(30-80)%	1	
C3...C8	Capacitors X7R 0,1 μ F 50 B-S	6	
FU1	Preventer USF 0603 0,5 – 5 A	1	
SB1	Buttons DSM-15/16	1	
R1...R4	Resistors 0805 390 $\kappa\Omega$ \pm 10%	4	
VD1	Diode SMBJ 5.0	1	
XP1	Connector WF-06MR	1	
XP3	Connector DB9	1	